



ZHEJIANG UNIU-NE Technology CO., LTD

浙江宇力微新能源科技有限公司



U0138 Data Sheet

V 2.3

版权归浙江宇力微新能源科技有限公司

General Description

The U0138 is a high frequency, synchronous, rectified, step-down, switch-mode converter with internal power MOSFETs. It offers a very compact solution to achieve a 1.5A peak output current over a wide input supply range, with excellent load and line regulation.

The U0138 requires a minimal number of readily available, external components and is available in a space saving SOT23-6 package.

Packages



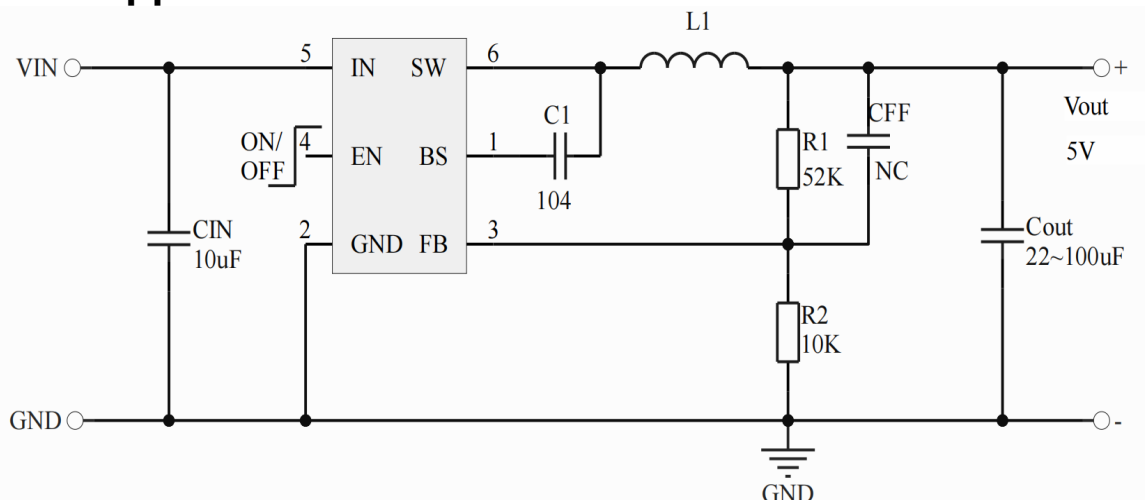
Key Features

- Wide 4V to 30V Operating Input Range
- 1.5A MAX Output Current
- 1.4MHz Switching Frequency
- Short Protection with Hiccup-Mode
- Built-in Over Current Limit
- Built-in Over Voltage Protection
- Force-PWM Mode
- Internal Soft-Start
- 200mΩ/150mΩ Low RDS(ON) Internal Power MOSFETs
- Output Adjustable from 0.8V
- No Schottky Diode Required
- Integrated internal compensation
- Thermal Shutdown
- Available in SOT23-6 Package
- -40°C to +85°C Temperature Range

Applications

- CCTV Camera
- Flat-Panel Television and Monitor
- Battery Charger
- Distributed Power Systems

Typical Application Circuit



Basic Application Circuit

1.版本记录

DATE	REV.	DESCRIPTION
2018/04/19	1.0	First Release
2019/05/21	2.0	Change the package
2021/11/12	2.1	Layout adjustment
2022/04/01	2.2	Change the Logo, Change CFF parameters
2023/12/08	2.3	Optimize input and output capacitance

2.免责声明

浙江宇力微新能源科技有限公司保留对本文档的更改和解释权力，不另行通知！客户在下单前应获取我司最新版本资料，并验证相关信息是否最新和完整。量产方案需使用方自行验证并自担所有批量风险责任。未经我司授权，该文件不得私自复制和修改。产品不断提升，以追求高品质、稳定性强、可靠性高、环保、节能、高效为目标，我司将竭诚为客户提供性价比高的系统开发方案、技术支持等更优秀的服务。

版权所有 浙江宇力微新能源科技有限公司/绍兴宇力半导体有限公司

3.联系我们

浙江宇力微新能源科技有限公司

总部地址：绍兴市越城区斗门街道袍渎路25号中节能科创园45幢4/5楼

电话：0575-85087896（研发部）

传真：0575-88125157

E-mail: htw@uni-semic.com

无锡地址：江苏省无锡市锡山区先锋中路6号中国电子（无锡）数字芯城1#综合楼503室

电话：0510-85297939

E-mail: zh@uni-semic.com

深圳地址：深圳市宝安区西乡街道南昌社区宝源路泳辉国际商务大厦410

电话：0755-84510976

E-mail: htw@uni-semic.com